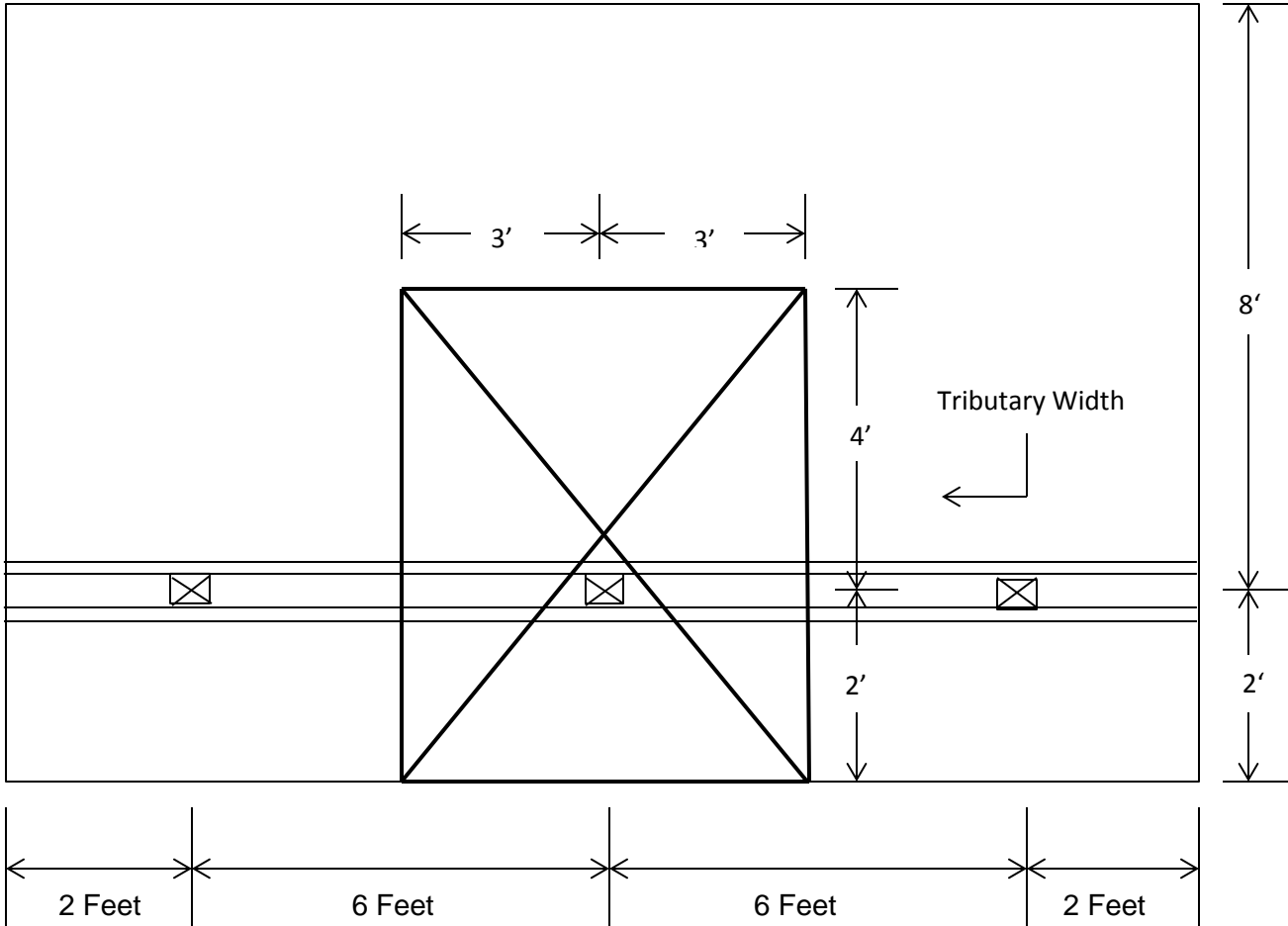


TRIBUTARY LOAD AREA  
DECK WITH LEDGER



Tributary area in this example:

$$3 + 3 = 6$$

$$4 + 2 = 6$$

$$6 \times 6 = 36 \text{ square feet}$$

See table 403.4 for footing size in inches

Tributary width is to be used to determine Beam size

$$\text{In this example } 4 + 2 = 6 \text{ feet for width}$$