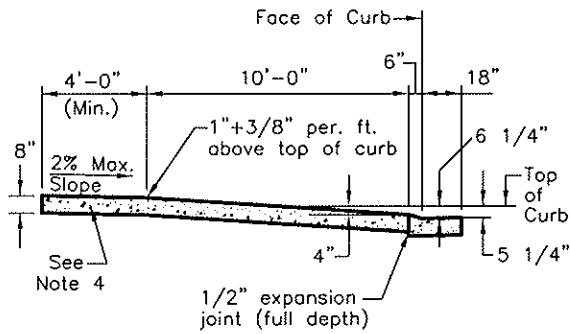


**PLAN**

Minimum Limits of Combined curb and gutter or integral curb to be removed if curb has not been previously dropped. All joints shall be sawed and provision made for proper contraction joints.



**SECTION A-A**

**NOTES**

1. Subgrade excavated below the prescribed grade shall be filled with an approved aggregate and compacted as directed.
2. When directed by the City, 2" Duct for street light cable shall be laid under driveway approaches prior to pouring approaches. Duct shall be placed 4' back of curb and 24" below proposed finish grade.
3. Surface shall be broom finished. All joints and edges shall be tooled after broom finish.
4. All Materials and Construction to conform to Item 452 of State of Ohio Department of Transportation Construction and Material Specifications. (Class S concrete, 715 lbs / CY., 6% air entrainment.) Particular attention shall be given to finish and curing.

STANDARD DIMENSIONS  
FOR  
**COMMERCIAL DRIVEWAY  
ENTRANCE APPROACH**

**CITY OF  
REYNOLDSBURG, OHIO**

STANDARD  
CONSTRUCTION DRAWING

Rev.	Date	Dwg. No.
5-26-05	10-18-96	R-17C